



G. S. I. Inc.

Manufacturer & Distributor of Aerospace Lighting

E-Mail: gsiinc@knology.net

Godfrey Systems International, Inc.

3051 Pine Street ☐ Clearwater, FL 33763-0914 ☐ U. S. A.

Tel: (727) 799-4916 ☐ Fax: (727) 724-0212

[HOME](#)

[PRODUCTS](#)

[WHAT'S NEW](#)

[WHO WE ARE](#)

[BUSINESS PARTNERS](#)

ISOLATION TRANSFORMERS

Compliance:

FAA AC 150/5345-47A, ICAO Aerodrome Design Manual: Part 5 Electrical Systems (Note: with 0.15 in² secondary cable), IEC 1836 (Draft)

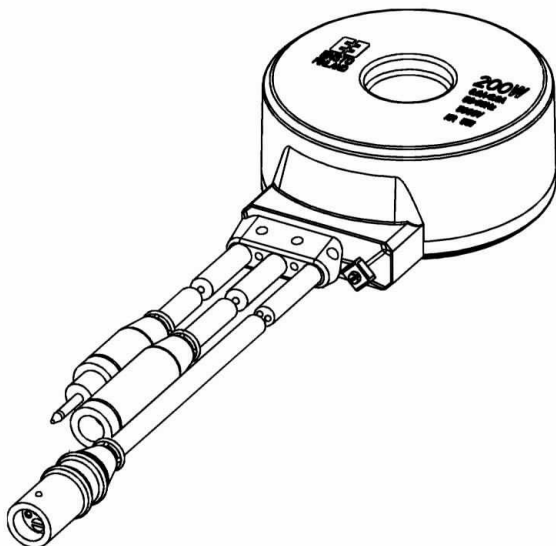
FAA APPROVED

Applications:

Efla's AGL Series Transformers are constructed for use in series circuits in airfield lighting.

Features:

Efla's Isolation Transformers have been developed to meet the most rigorous customer specifications, with high regard to quality and installation ease. Designed and manufactured in Finland, Efla understands the special requirements of the Arctic climate. The extreme conditions of tropic and sub-tropic climate have also been accommodated with many installations in those specific regions. Efla's Transformers are quick and easy to install - no special tools required.



New LED Lighting Transformers:

- ☐ Transformers for LED lights are now available.
- ☐ Smaller, energy saving, AGL-LED Transformers.
- ☐ KR511, KR521, and KR525 (see below under technical data).

Efla's AGL Series Transformers are completely waterproof. The encapsulation of the transformer is made of TPE (thermoplastic elastomer), with excellent electrical and mechanical resistance to oil, kerosene, other aircraft fuel, soil acids and alkalis, and other chemicals typically present on an airfield.

In addition to the standard transformers with 6.6 A / 6.6 A current rating, there is the possibility to offer transformers with 8.3 A / 6.6 A current rating.

Technical Data:

Efla Type With Earthing	Efla Type Without Earthing	Nominal Power Rating	Maximum Circuit Voltage	Current Rating	Frequency	Power Factor
KR 511	KR531.1	10-20 W	5000 V	6.6/6.6 A	50/60 Hz	0.97
KR 521	KR 536.1	20 W	5000 V	6.6/6.6 A	50/60 Hz	0.97
KR 525	KR 525.1	7 W	5000 V	6.6 A / 44 V	50/60 Hz	0.97
KR 531	KR 531.1	45 W	5000 V	6.6/6.6 A	50/60 Hz	0.97
KR 536	KR 536.1	65 W	5000 V	6.6/6.6 A	50/60 Hz	0.97
KR 541	KR 541.1	100 W	5000 V	6.6/6.6 A	50/60 Hz	0.97
KR 546	KR 546.1	150 W	5000 V	6.6/6.6 A	50/60 Hz	0.97
KR 551	KR 551.1	200 W	5000 V	6.6/6.6 A	50/60 Hz	0.97
KR 561	KR 561.1	300 W	5000 V	6.6/6.6 A	50/60 Hz	0.97

Construction:

The transformers have two copper windings, one primary and one secondary, wound separately on a toroidal magnetic core circuit and insulated completely from each other.

Primary Leads:

- ☐ Transformers have two primary leads.
- ☐ One lead is with FAA L-823, Style 2 plug.
- ☐ One lead is with FAA L-823, Style 9 receptacle.



Secondary Leads:

- ☐ The transformers have one secondary lead.
- ☐ The lead is with FAA Style 7 receptacle.
- ☐ On request, the secondary connector can be equipped with sealing unit PMR 755, in accordance with FAA L-823, Style 8.
- ☐ On request, the transformers can be equipped with other cable sizes or other cable lengths.

Housing:

The plug and receptacle insulation, as well as cable insulation, is manufactured of the same material: Thermoplastic Elastomer (TPE). When it is fully molded together, this material insures complete waterproof construction. The encapsulation is made under high temperature and high pressure.

Dimensions:

Efla Type	Diameter	Length	Height	Weight
KR 531, KR 531.1	3.94 in / 100 mm	4.92 in / 125 mm	2.16 in / 55 mm	3.74 lbs / 1.7 kg
KR 536, KR 536.1	5.79 in / 147 mm	7.60 in / 193 mm	2.12 in / 54 mm	6.61 lbs / 3.0 kg
KR 541, KR 541.1	5.79 in / 147 mm	7.60 in / 193 mm	2.12 in / 54 mm	6.61 lbs / 3.0 kg
KR 546, KR 546.1	5.79 in / 147 mm	7.60 in / 193 mm	2.36 in / 60 mm	7.27 lbs / 3.3 kg
KR 551, KR 551.1	5.79 in / 147 mm	7.60 in / 193 mm	2.52 in / 64 mm	8.38 lbs / 3.8 kg
KR 561, KR 561.1	5.79 in / 147 mm	7.60 in / 193 mm	2.87 in / 73 mm	10.58 lbs / 4.8 kg

Packing:

The standard packing is of recyclable cardboard, size 46.4 x 30.7 x 19.6 in (117.85 x 77.98 x 49.78 cm), on a wooden pallet.
On request, the transformers can be packed in seaworthy wooden crates.

Sold & Serviced in the United States & Canada by G. S. I. Inc.

Manufactured by:



EFLA Oy

P. O. Box 77 FIN-06101 Porvoo Finland

Tel: + 35 82 04 76 21 Fax: + 35 82 04 76 27 50

E-mail: efla@ensto.com Website: www.ensto.com

[HOME](#)

[PRODUCTS](#)

[WHAT'S NEW](#)

[WHO WE ARE](#)

[BUSINESS PARTNERS](#)

Created By KMPH - Web Architect, G. S. I. Inc.

Updated: May 22, 2006

©1997-2006 All Rights Reserved

